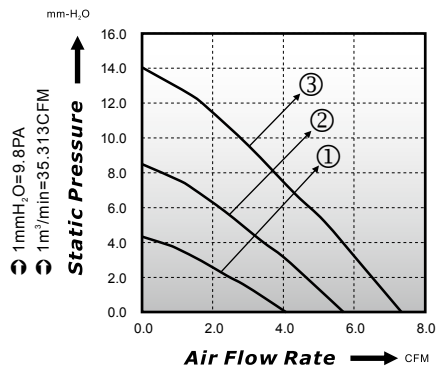


69x69x07mm

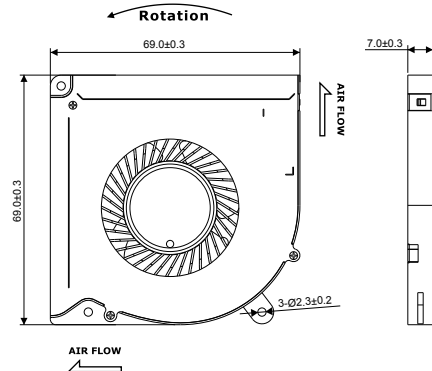


■ P-Q Curve (At Rated Voltage)



■ Dimensions Drawing

Unit: (mm)



Model No	Bearing (*)	Rated Voltage (VDC)	Rated Current (A)	Power Consumption (Watts)	Speed (rpm)	Air Flow (CFM)	Static Pressure (mmH ₂ O)	Noise (dBA)	Curve
EBD06907-05L*	○ ⊖	5	0.20	1	2500	4.08	4.34	28.3	1
EBD06907-05M*	○ ⊖	5	0.40	2	3500	5.71	8.5	35.6	2
EBD06907-05H*	○ ⊖	5	0.60	3	4500	7.35	14.05	41	3

* Bearing type: ○ Sleeve ● Two Ball ⊖ Hydro-Dynamic